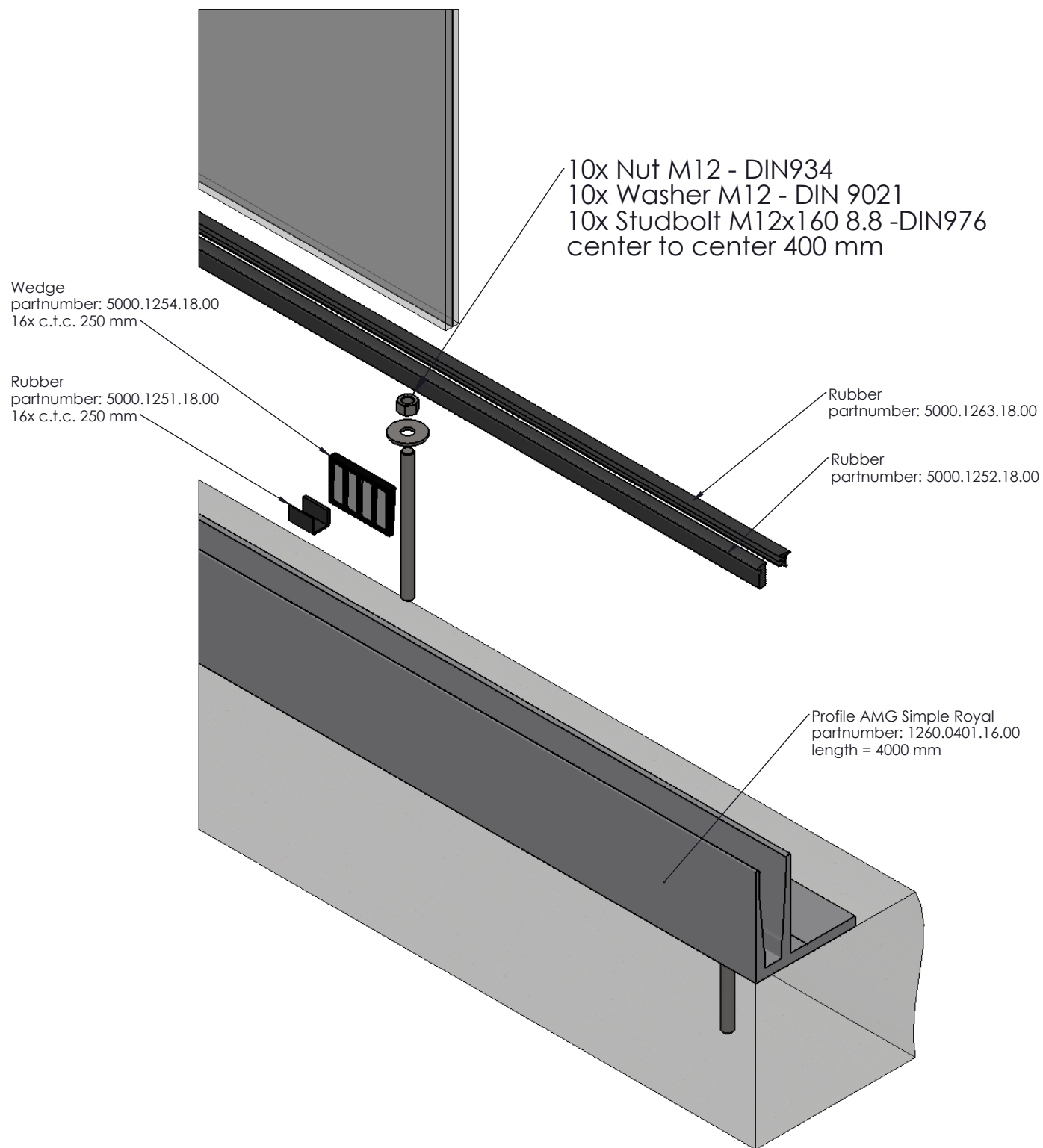


Milaanstraat 24
1175 RJ Lijnden
Postbus 106
1170 AC BADHOEVEDORP
TEL: 0031-(0)20 - 449 06 47

Surface treatment: -	
Material: -	
Customer: -	Project nr: -
Project: -	-
TITEL: AMG Quick Premium	Papersize: A4
ART. NR /Drawing. NR.: 1260	REVISION: A
	Weight: - kg SCALE: 1:2.5 PAGE 1 OF 4

Drawn by: SVH	Date: 2011-09-22	DIMENSIONS IN MM
	ROUGHNESS ACCORDING NEN 3634	DIMENSION TOLERANCES ACCORDING ISO 2768 SHAPE and PLACE TOLERANCES ACCORDING ISO 1101 <i>THIS DRAWING REMAINS OUR PROPERTY</i>

Standard Situation



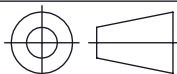
Milaanstraat 24
1175 RJ Lijnden
Postbus 106
1170 AC BADHOEVEDORP
TEL: 0031-(0)20 - 449 06 47

Surface treatment: -	
Material: -	
Customer: -	Project nr: -
Project: -	
TITEL: AMG Quick Premium	Papersize: A4
ART. NR /Drawing. NR.: 1260	REVISION: A
	Weight: - kg
	SCALE: 1:2.5
	PAGE 2 OF 4

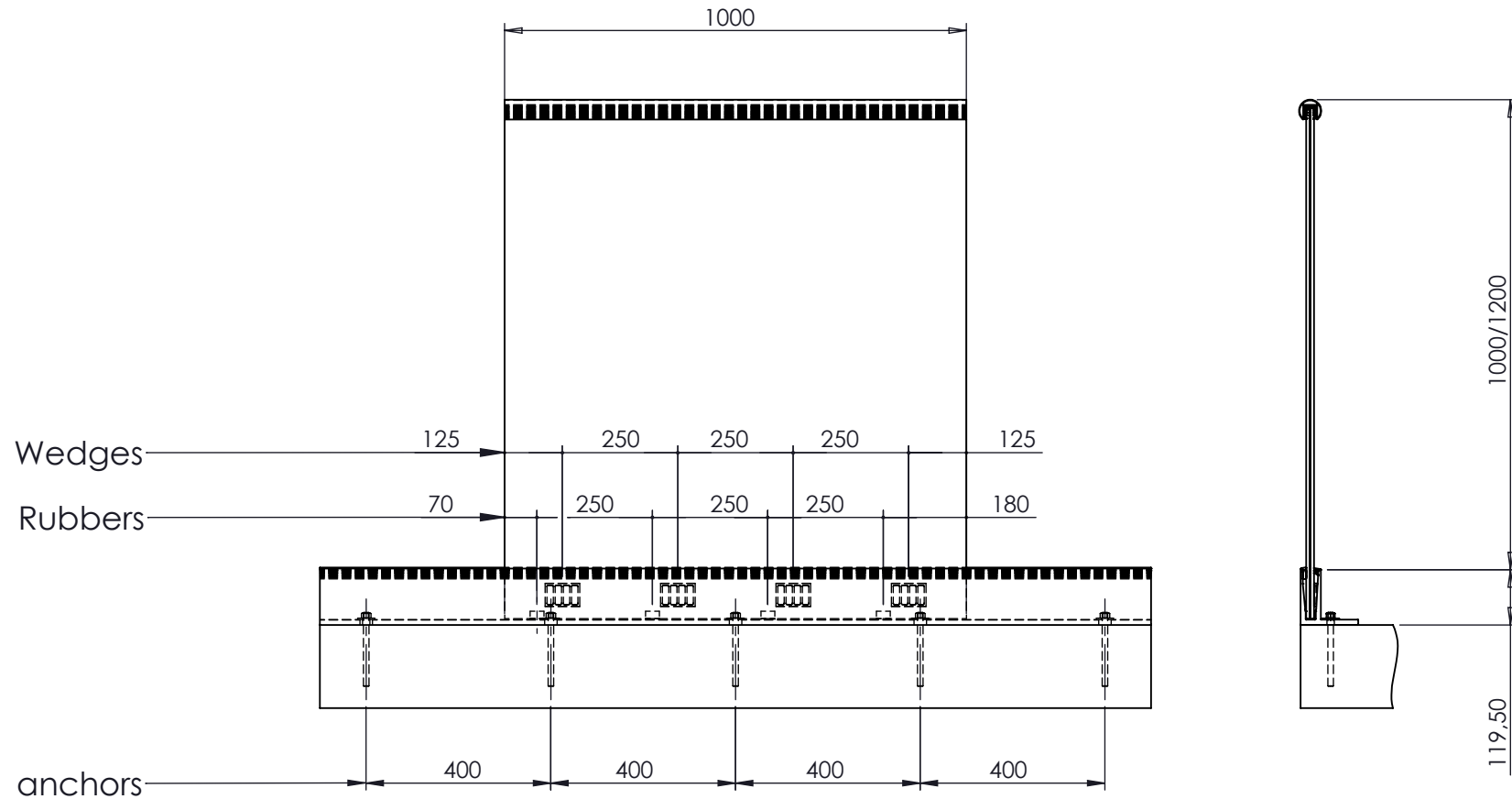
Drawn by: SVH


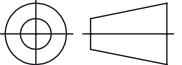
Date: 2011-09-22
ROUGHNESS
ACCORDING
NEN 3634

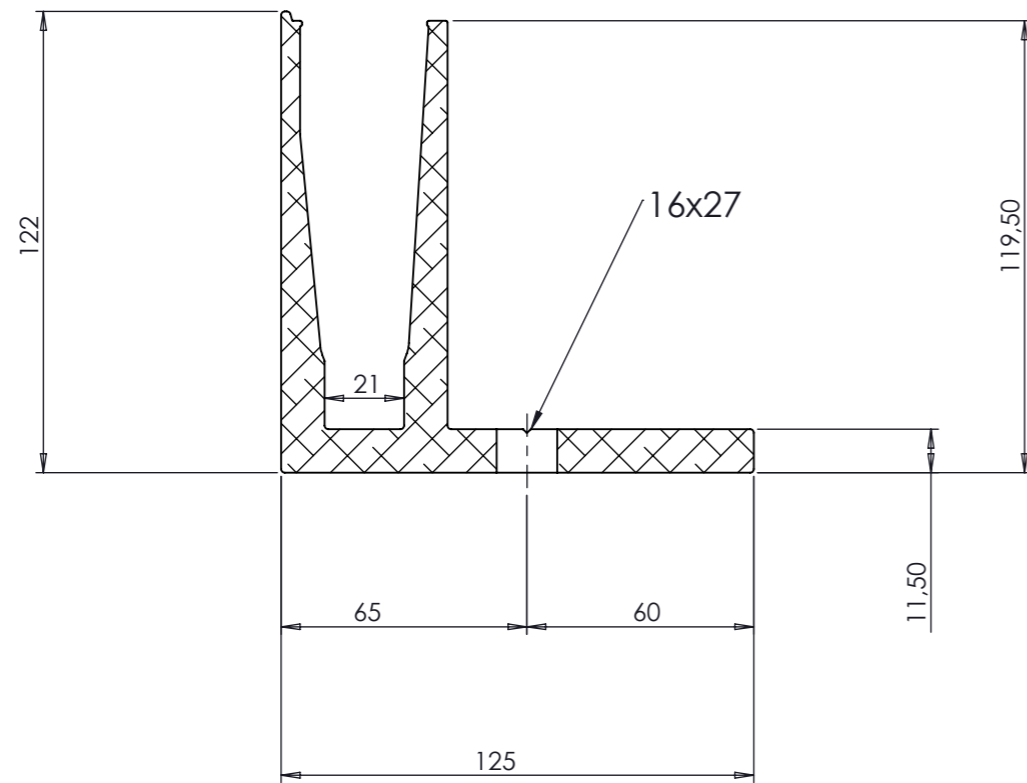
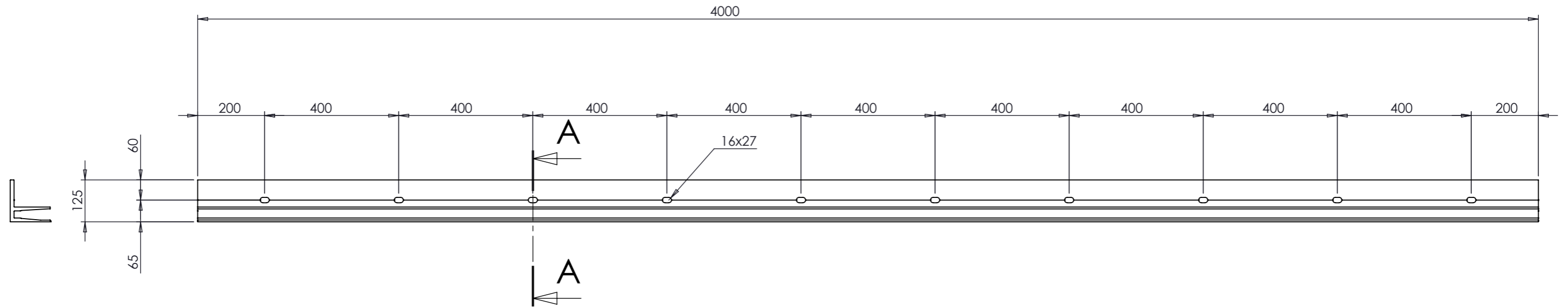
DIMENSIONS IN MM
DIMENSION TOLERANCES ACCORDING ISO 2768
SHAPE and PLACE TOLERANCES ACCORDING ISO 1101
THIS DRAWING REMAINS OUR PROPERTY





Placement of rubbers and wedges



		Milaanstraat 24 1175 RJ Lijnden		Surface treatment: -	
		Postbus 106 1170 AC BADHOEVEDORP		Material: -	
Drawn by: SVH		Date: 2011-09-22		Customer: -	
		DIMENSIONS IN MM DIMENSION TOLERANCES ACCORDING ISO 2768 SHAPE and PLACE TOLERANCES ACCORDING ISO 1101 THIS DRAWING REMAINS OUR PROPERTY		Project: -	
ROUGHNESS ACCORDING NEN 3634		TEL: 0031-(0)20 - 449 06 47		Project nr: -	
TITEL: AMG Quick Premium				Papersize: A4	
ART. NR /Drawing. NR.: 1260				REVISION: A	
				Weight: - kg	
				SCALE: 1:15	
				PAGE 3 OF 4	



SECTION A-A
SCALE 1 : 2

		Milaanstraat 24 1175 RJ Lijnden		Surface treatment: -	
		Postbus 106 1170 AC BADHOEVEDORP		Material: 6060-T66	
TEL: 0031-(0)20 - 449 06 47		Project:		Project nr: -	
TITEL: AMG Quick Premium		ART. NR /Drawing. NR.:		Papersize: A3	
REVISION: A		1260.0401.16.00		Weight: 34,17 kg	
Drawn by: SVH 		Date: 2011-05-19 DIMENSIONS IN MM DIMENSION TOLERANCES ACCORDING ISO 2768 SHAPE and PLACE TOLERANCES ACCORDING ISO 1101 THIS DRAWING REMAINS OUR PROPERTY		SCALE: 1:12 PAGE 4 OF 4	